

Information to Recycler

| | | |
|---|---|--|
| Producer: | Panasonic | date issued: month/year 7 / 2019 |
| Product category/ type of equipment (Annex IA and IB of WEEE Directive): | IA:IT and telecommunications equipment | |
| | IB:Scanner | |
| Name of equipment: | Document Scanner | |
| Valid for models: | KV-S1037 | |

Component/ Material Information

<Existence>

| | Component or Material | Marks & Location Write "Exist" if included | Remarks |
|----|---|--|--|
| 1 | Backlighting lamps of LCD/TFT or similar screens containing Mercury (Hg) | no | |
| 2 | Cadmium (*1) | no | |
| 3 | Gas discharge lamps | no | |
| 4 | Plastic containing brominated flame retardants other than in Printed Circuit Assemblies | Exist Location: See attached references/ BRACE/PLASTIC/FAN HOLDER Lower Chassis Wifi Board Holder Bottom Cover | PNUF1096 PNUA1030 PNUF1094 PNKF1241Z-2 |
| 5 | Liquid Crystal Displays with a surface greater than 100 cm ² | no | |
| 6 | Asbestos | no | |
| 7 | Refractory ceramic fibres | no | |
| 8 | Radio-active substances | no | |
| 9 | Other forms of Beryllium | no | |
| 10 | printed circuit boards greater than 10 square centimetres | Exist Location: See attached references/ ULTRASONIC SENSOR (G) Board PANEL Board ULTRASONIC SENSOR (R) Board CONTROL Board for KV-S1037 | PNWPS1037DM PNWPS1037CM PNWPS1037BM PNWPS1037AM |
| 11 | printed circuit boards less than 10 square centimetres and contain plastics with BFRs | no | |
| 12 | The external electric cable | Exist Location: See attached references/ Power Cord for KV-S1037 Power Cord for KV-S1037 USB Cable AC Adaptor | K2CR2DA00004 PSJA1106X K1HY09YY0021 PNLV6507V |

<Location>

| | | Information of location if included | Remarks |
|---|---|--|----------------|
| 1 | Battery (internal) containing Mercury (Hg)/ NiCd/Lithium/ Other | no | |
| 2 | Mercury (Hg) in other applications (*1) | no | |
| 3 | Capacitors with PCB's | no | |
| 4 | Capacitors with substances of concern + height > 25mm, diameter > 25 mm or proportionately similar volume | no | |
| 5 | Beryllium Oxide | no | |

<Location & Information>

| | | Information if included | Remarks |
|---|---|--------------------------------|----------------|
| 1 | Gasses – which fall under Regulation (EC) 2037/2000 and all hydrocarbons (HC). | location | no |
| | | type of gas | |
| | | properties | |
| | | volume and/or weight | |
| 2 | Components with pressurised gas which need special attention [Pressure > 1,5 bar] | location | no |
| | | type of gas | |
| | | pressure level | |
| | | discharge method | |
| 3 | Liquids if volume > 10 cl (or equivalence in weight, e.g. for PCB, oil...) | location | no |
| | | type of liquid | |
| | | discharge method | |
| 4 | Mechanical components that store mechanical energy (i.e. springs) or equivalent parts which need special attention [diameter > 10 mm and height > 25 mm or proportionally similar volume and expanding] | location | no |

(*1)Substances are considered to be in the product if present above the levels specified in Commission Decision 2005/618/EC related to Directive 2002/95/(EC) (RoHS Directive) or if their use is permitted through exemptions in the Annex of Directive 2002/95(EC)

End-of-Life Characterization Report

| | | |
|---|---|--|
| Producer: | Panasonic | date issued: month/year 7 / 2019 |
| Product category/ type of equipment (Annex IA and IB of WEEE Directive): | IA:IT and telecommunications equipment | |
| Name of equipment: | Document Scanner | |
| Valid for models: | KV-S1037 | |

Component/ Material Information

<Existence>

| | Component or Material | Marks & Location Write "Exist" if included | Remarks | Quantity | Tools Needed for Disassembly | Disassembly Instructions |
|----|---|--|--|-----------------|---|---------------------------------|
| 1 | Backlighting lamps of LCD/TFT or similar screens containing Mercury (Hg) | no | | 0 | NA | NA |
| 2 | Cadmium (*1) | no | | 0 | NA | NA |
| 3 | Gas discharge lamps | no | | 0 | NA | NA |
| 4 | Plastic containing brominated flame retardants other than in Printed Circuit Assemblies | Exist Location: See attached references/ BRACE/PLASTIC/FAN HOLDER Lower Chassis Wifi Board Holder Bottom Cover | PNUF1096 PNUA1030 PNUF1094 PNKF1241Z-2 | 4 | Screw driver Nipper Needle-nose plier Blow-dryer | See attached references. |
| 5 | Liquid Crystal Displays with a surface greater than 100 cm2 | no | | 0 | NA | NA |
| 6 | Asbestos | no | | 0 | NA | NA |
| 7 | Refractory ceramic fibres | no | | 0 | NA | NA |
| 8 | Radio-active substances | no | | 0 | NA | NA |
| 9 | Other forms of Beryllium | no | | 0 | NA | NA |
| 10 | printed circuit boards greater than 10 square centimetres | Exist Location: See attached references/ ULTRASONIC SENSOR (G) Board PANEL Board ULTRASONIC SENSOR (R) Board CONTROL Board for KV-S1037 | PNWPS1037DM PNWPS1037CM PNWPS1037BM PNWPS1037AM | 4 | | |
| 11 | printed circuit boards less than 10 square centimetres and contain plastics with BFRs | no | | 0 | Screw driver Nipper Needle-nose plier Blow-dryer | See attached references. |
| 12 | The external electric cable | Exist Location: See attached references/ Power Cord for KV-S1037 Power Cord for KV-S1037 USB Cable AC Adaptor | K2CR2DA00004 PSJA1106X K1HY09YY0021 PNLV6507V | 4 | | |

<Location>

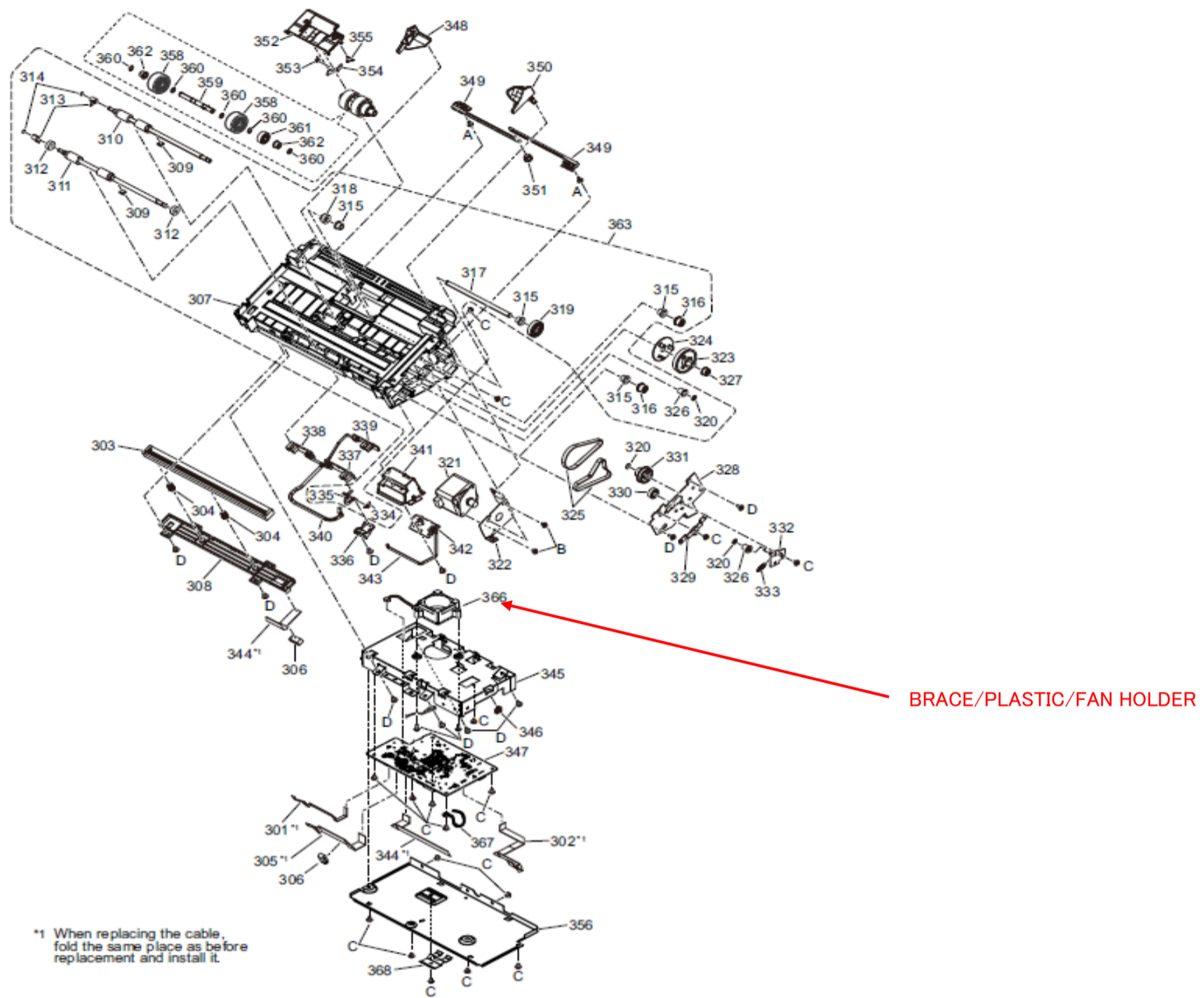
| | Information of location if included | Remarks | Quantity | Tools Needed for Disassembly | Disassembly Instructions |
|---|---|----------------|-----------------|-------------------------------------|---------------------------------|
| 1 | Battery (internal) containing Mercury (Hg)/ NiCd/Lithium/ Other | no | 0 | NA | NA |
| 2 | Mercury (Hg) in other applications (*1) | no | 0 | NA | NA |
| 3 | Capacitors with PCB's | no | 0 | NA | NA |
| 4 | Capacitors with substances of concern + height > 25mm, diameter > 25 mm or proportionately similar volume | no | 0 | NA | NA |
| 5 | Beryllium Oxide | no | 0 | NA | NA |

<Location & Information>

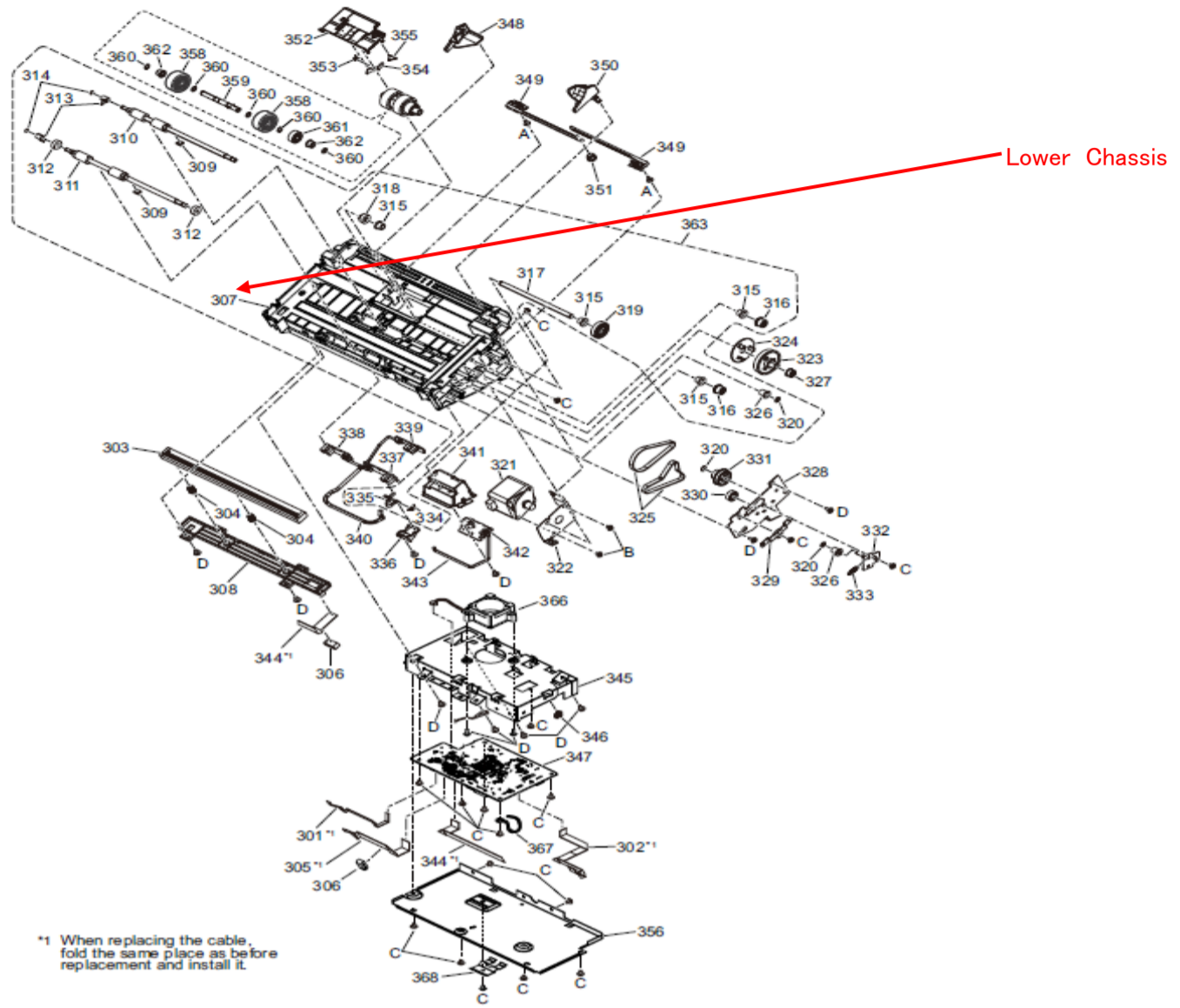
| | Information if included | Remarks | Quantity | Tools Needed for Disassembly | Disassembly Instructions |
|---|---|----------------|-----------------|-------------------------------------|---------------------------------|
| 1 | Gasses – which fall under Regulation (EC) 2037/2000 and all hydrocarbons (HC). location type of gas properties volume and/or weight | no | 0 | NA | NA |
| 2 | Components with pressurised gas which need special attention [Pressure > 1,5 bar] location type of gas pressure level discharge method | no | 0 | NA | NA |
| 3 | Liquids if volume > 10 cl (or equivalence in weight, e.g. for PCB, oil...) location type of liquid discharge method | no | 0 | NA | NA |
| 4 | Mechanical components that store mechanical energy (i.e. springs) or equivalent parts which need special attention [diameter > 10 mm and height > 25 mm or proportionally similar volume and expanding] location | no | 0 | NA | NA |

(*1)Substances are considered to be in the product if present above the levels specified in Commission Decision 2005/618/EC related to Directive 2002/95/(EC) (RoHS Directive) or if their use is permitted through exemptions in the Annex of Directive 2002/95(EC)

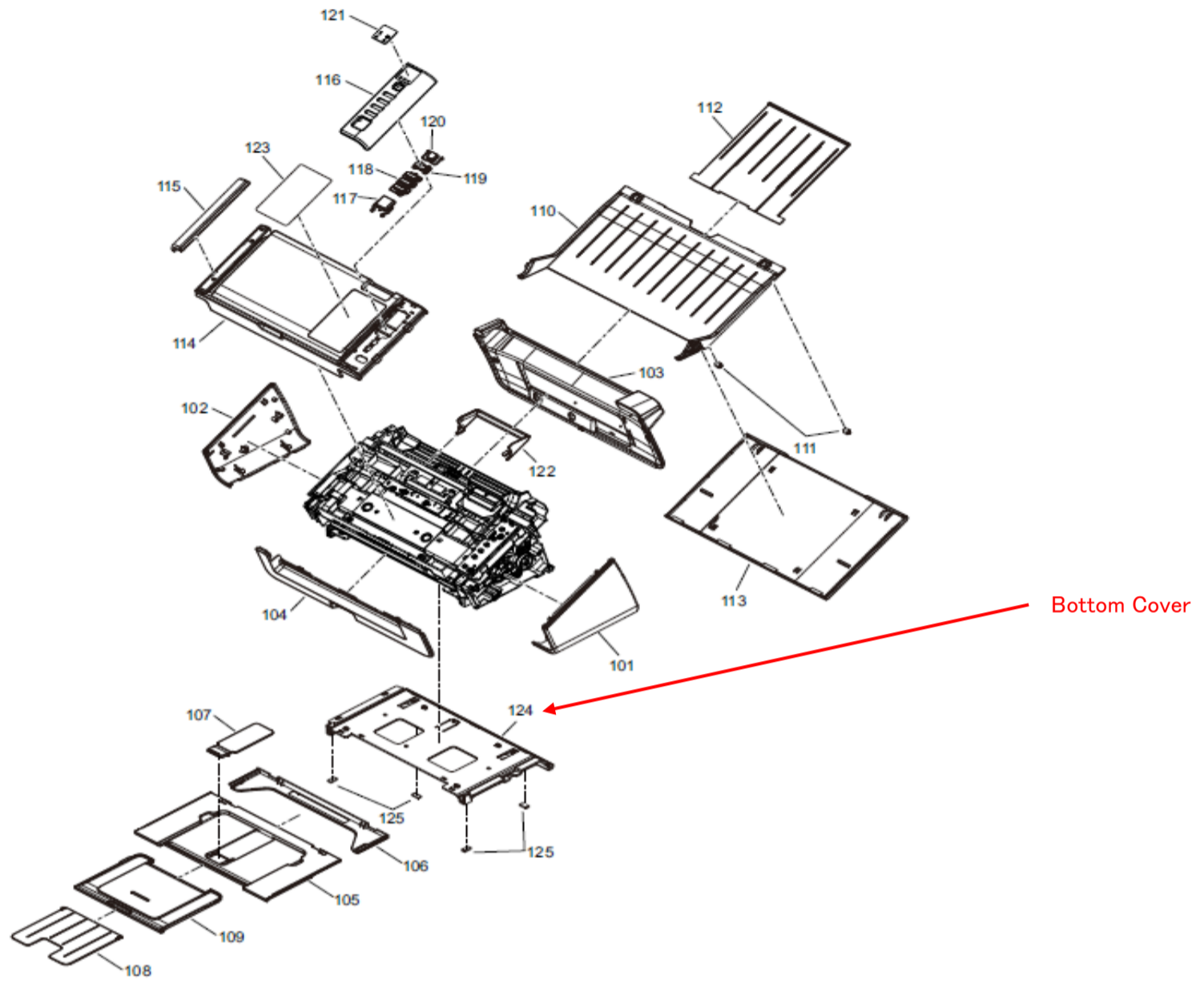
15.3. Lower chassis



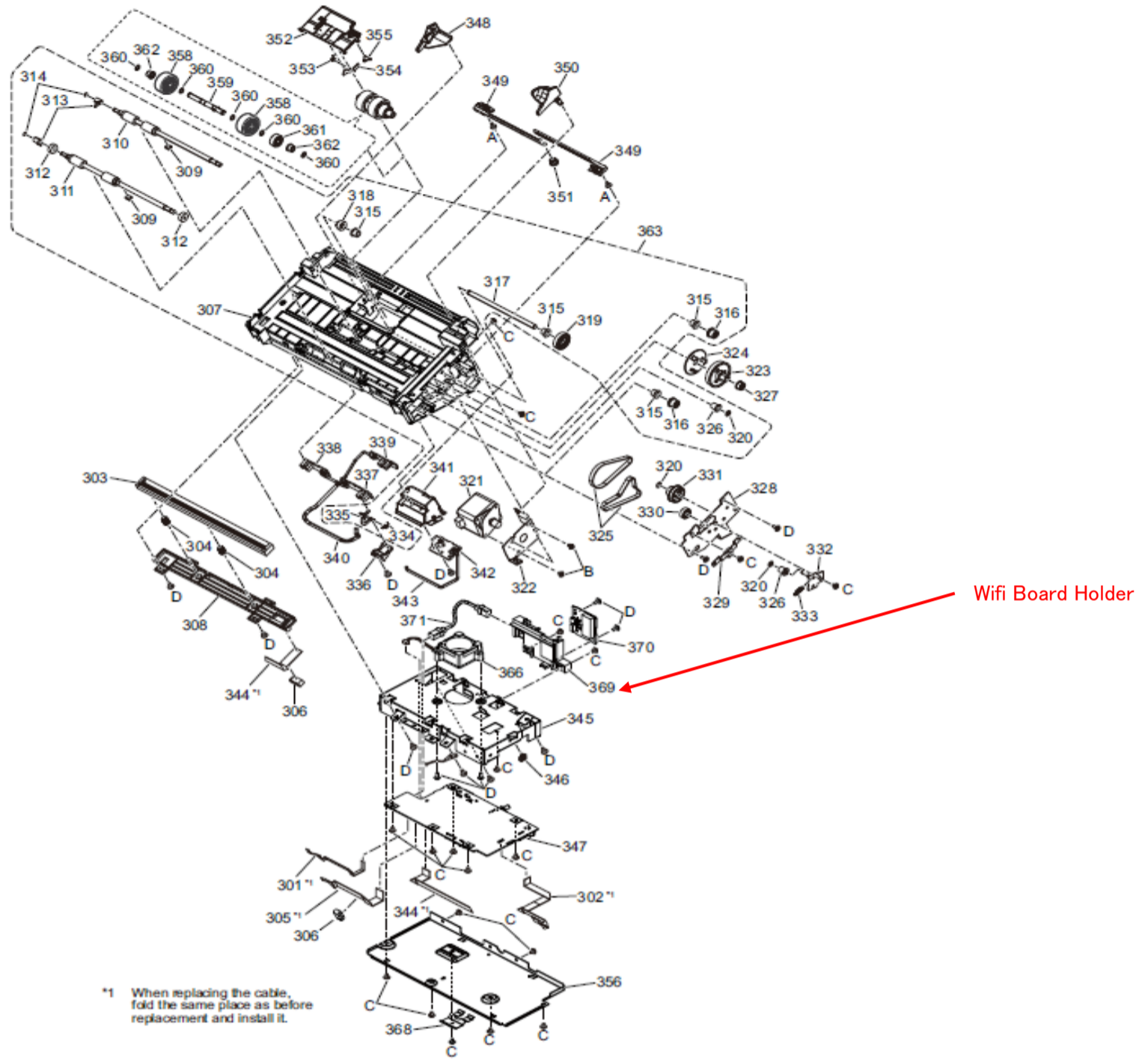
15.3. Lower chassis



15.1. Exterior

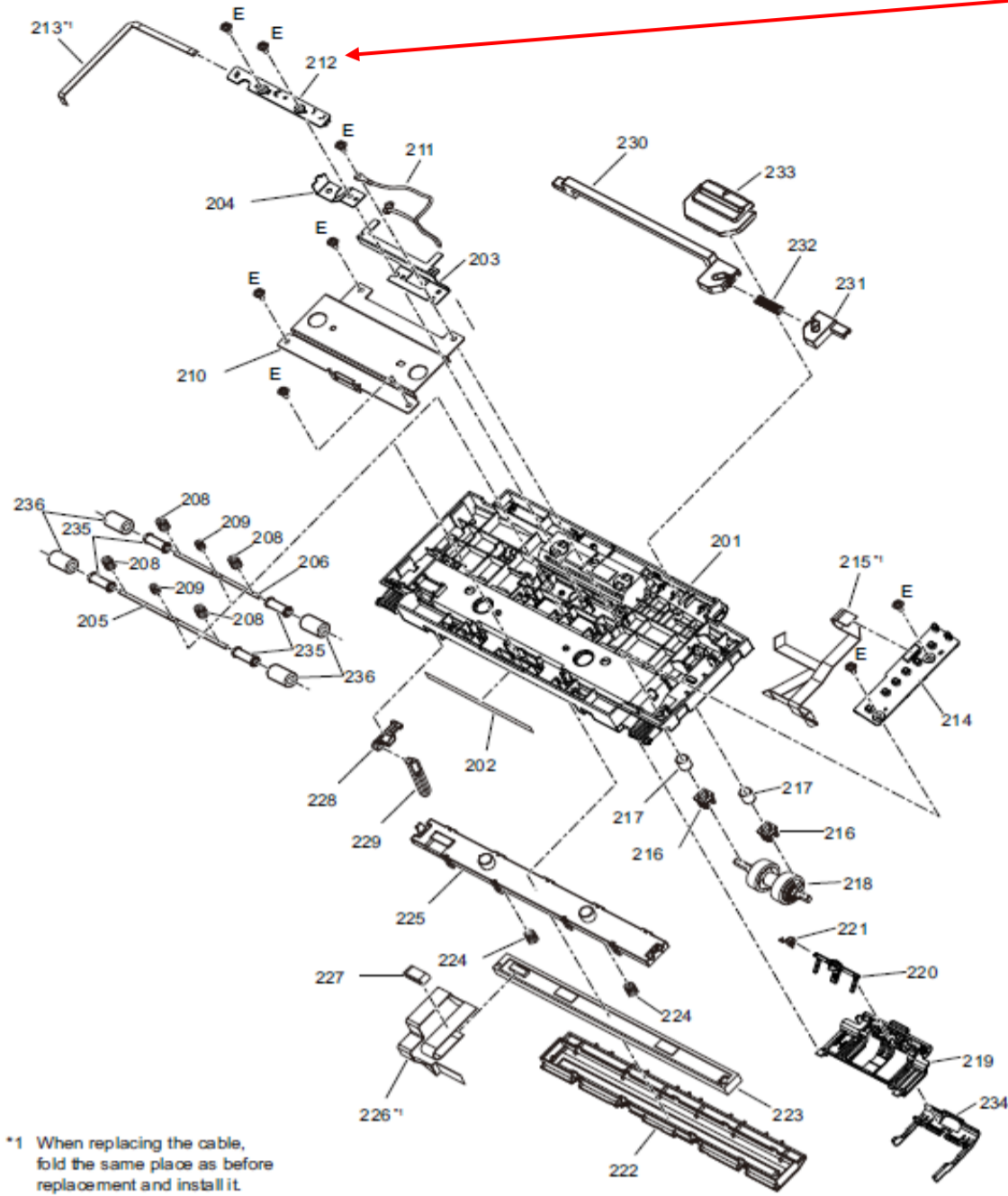


15.3. Lower chassis



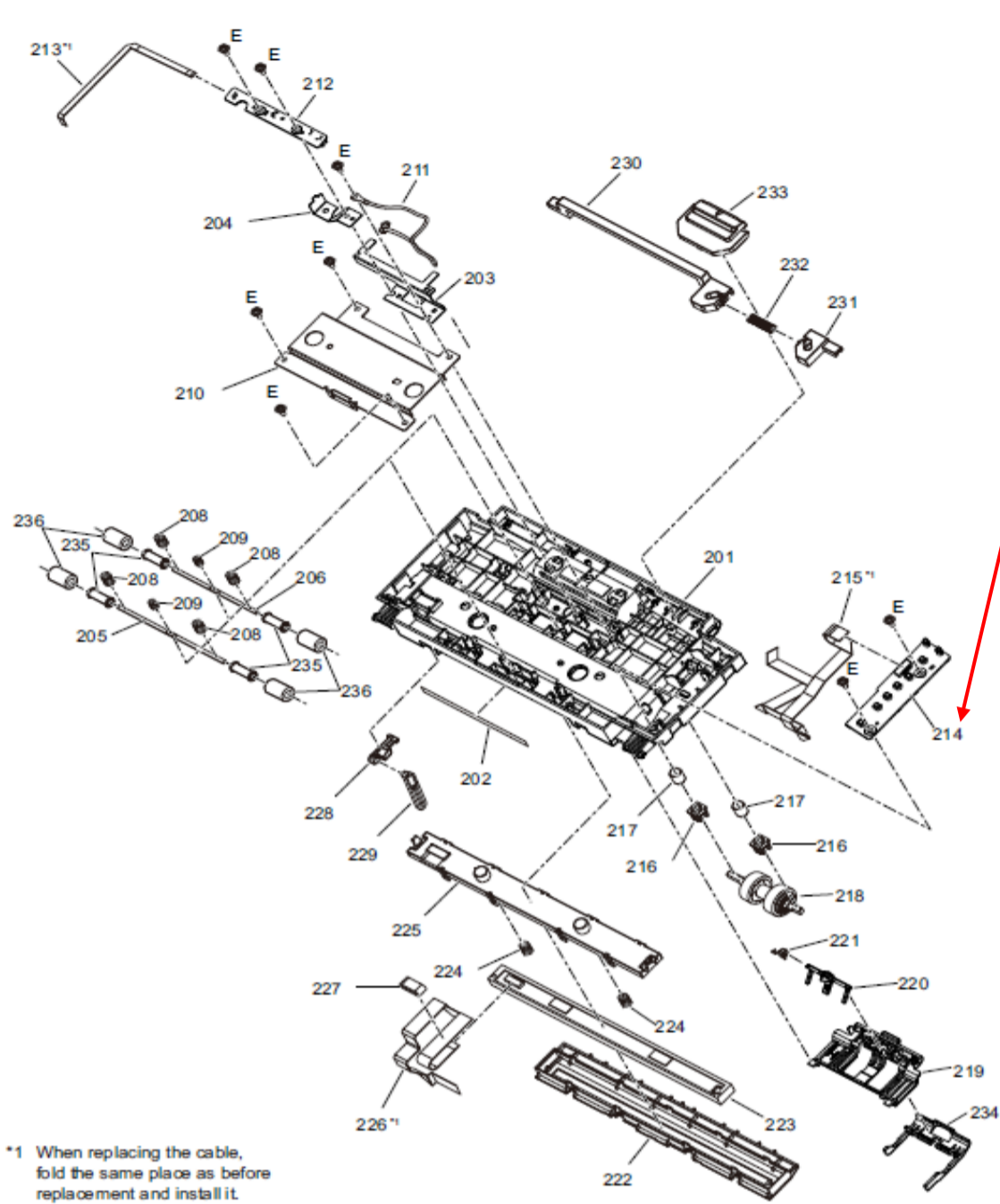
15.2. Upper chassis

ULTRASONIC SENSOR (G) Board



*1 When replacing the cable, fold the same place as before replacement and install it.

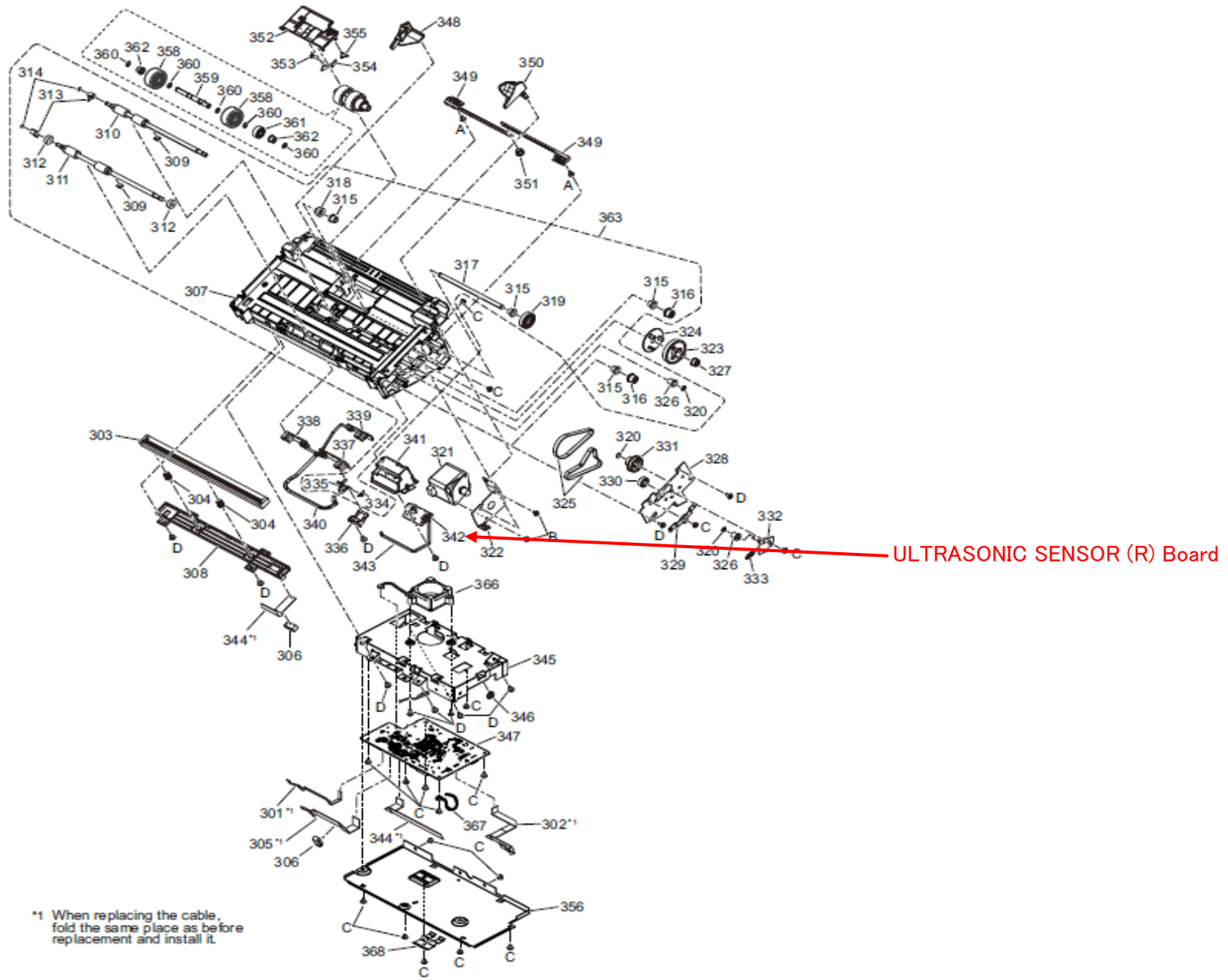
15.2. Upper chassis



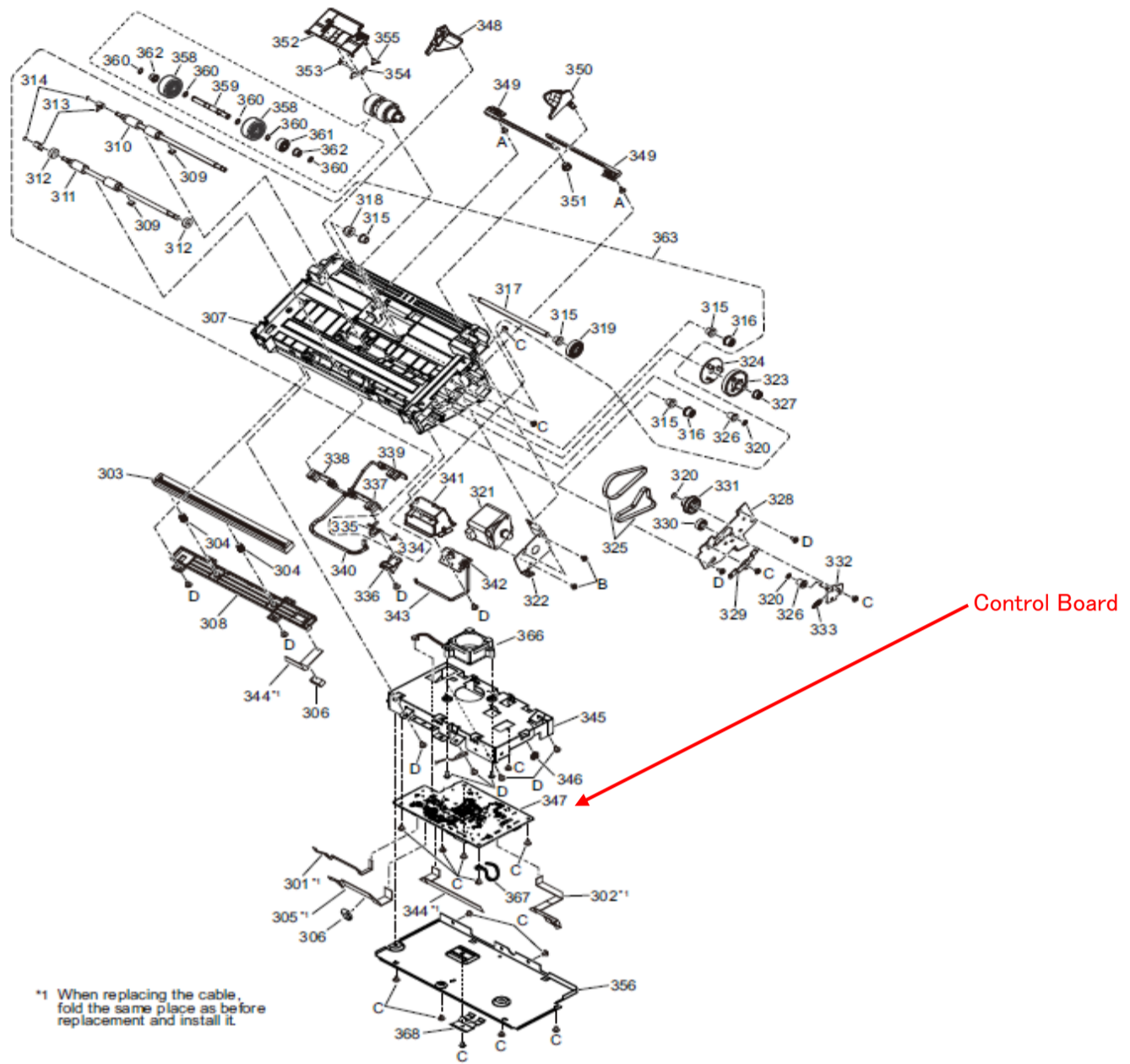
Panel Board

*1 When replacing the cable, fold the same place as before replacement and install it.

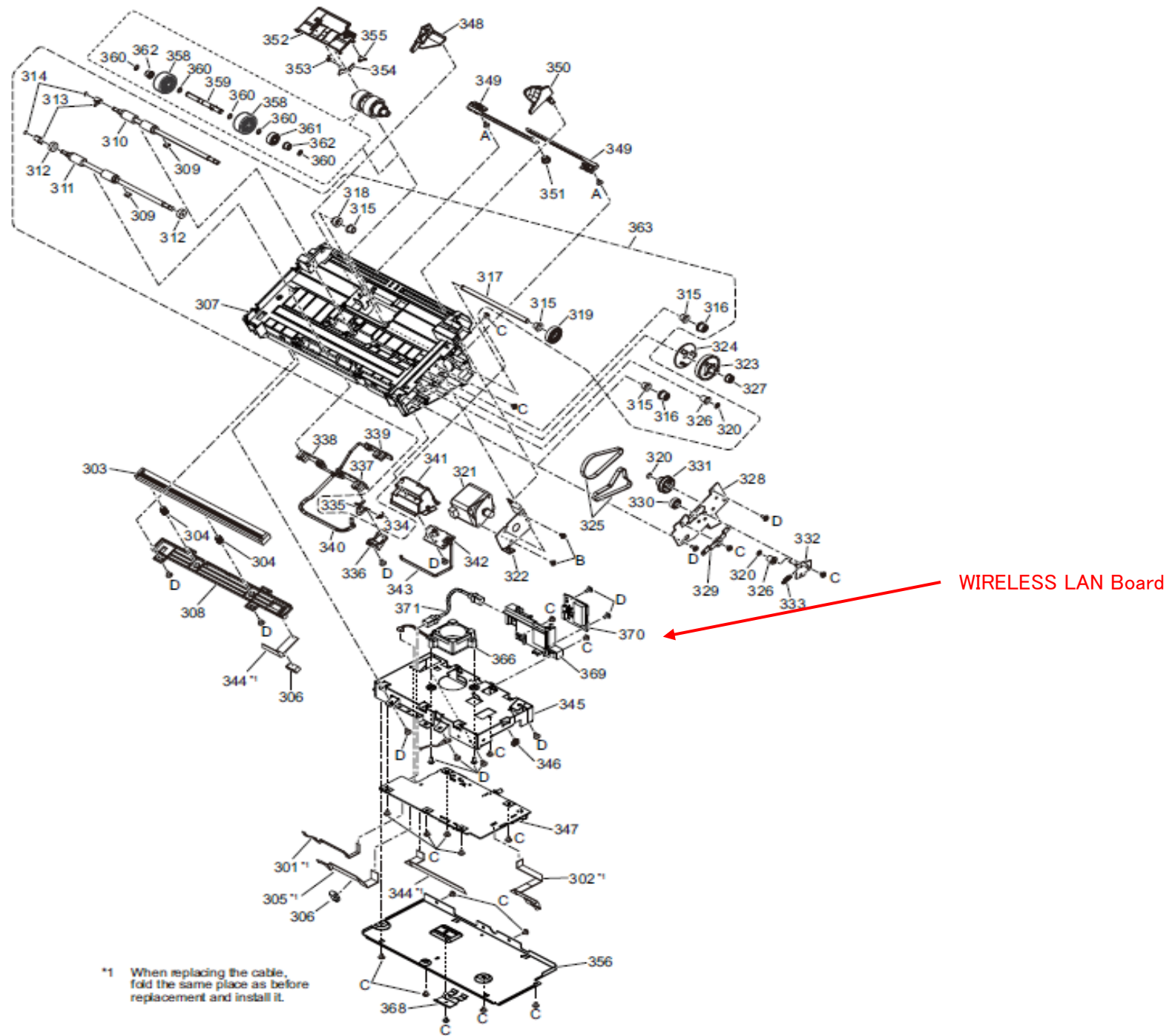
15.3. Lower chassis



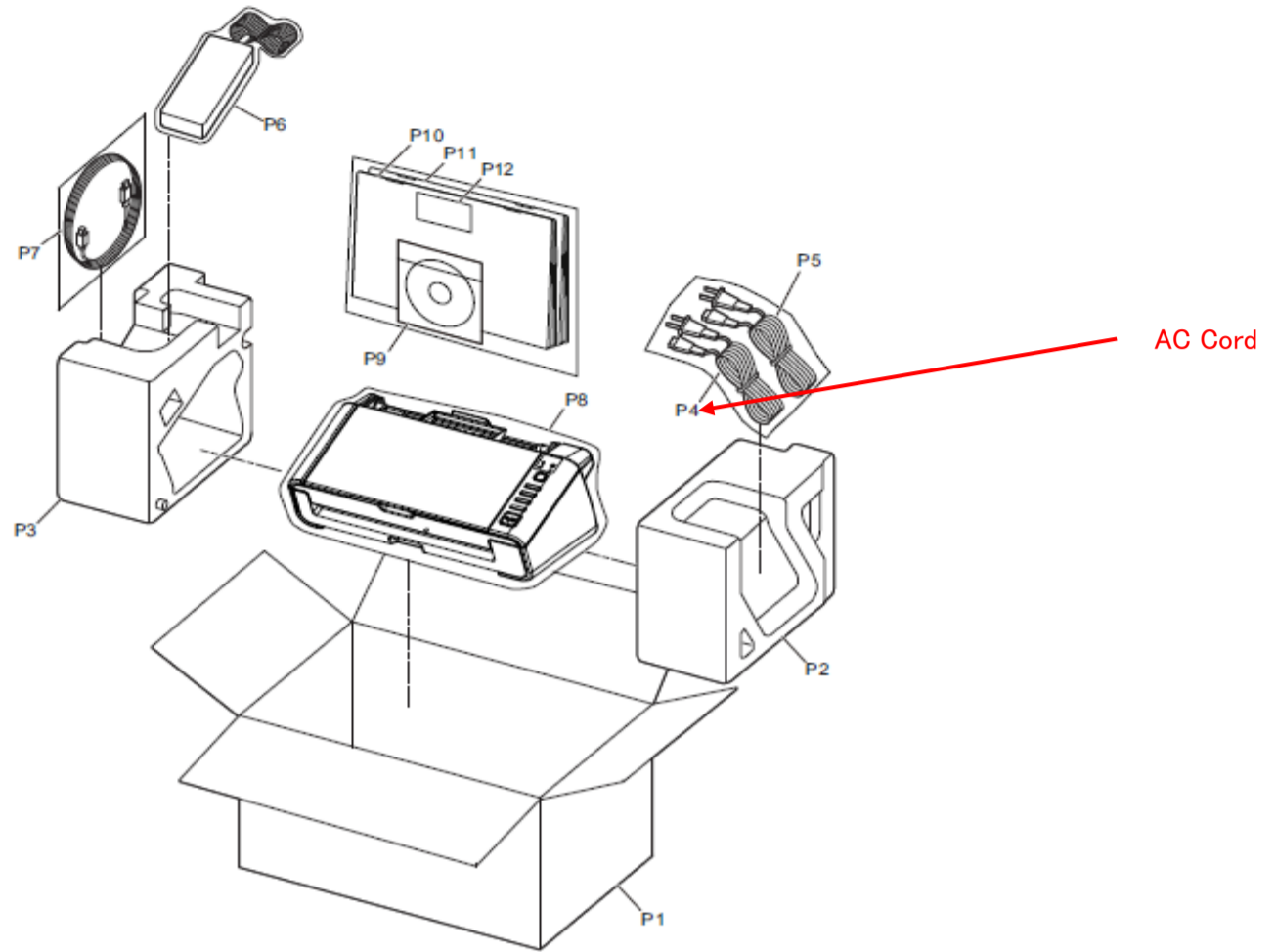
15.3. Lower chassis



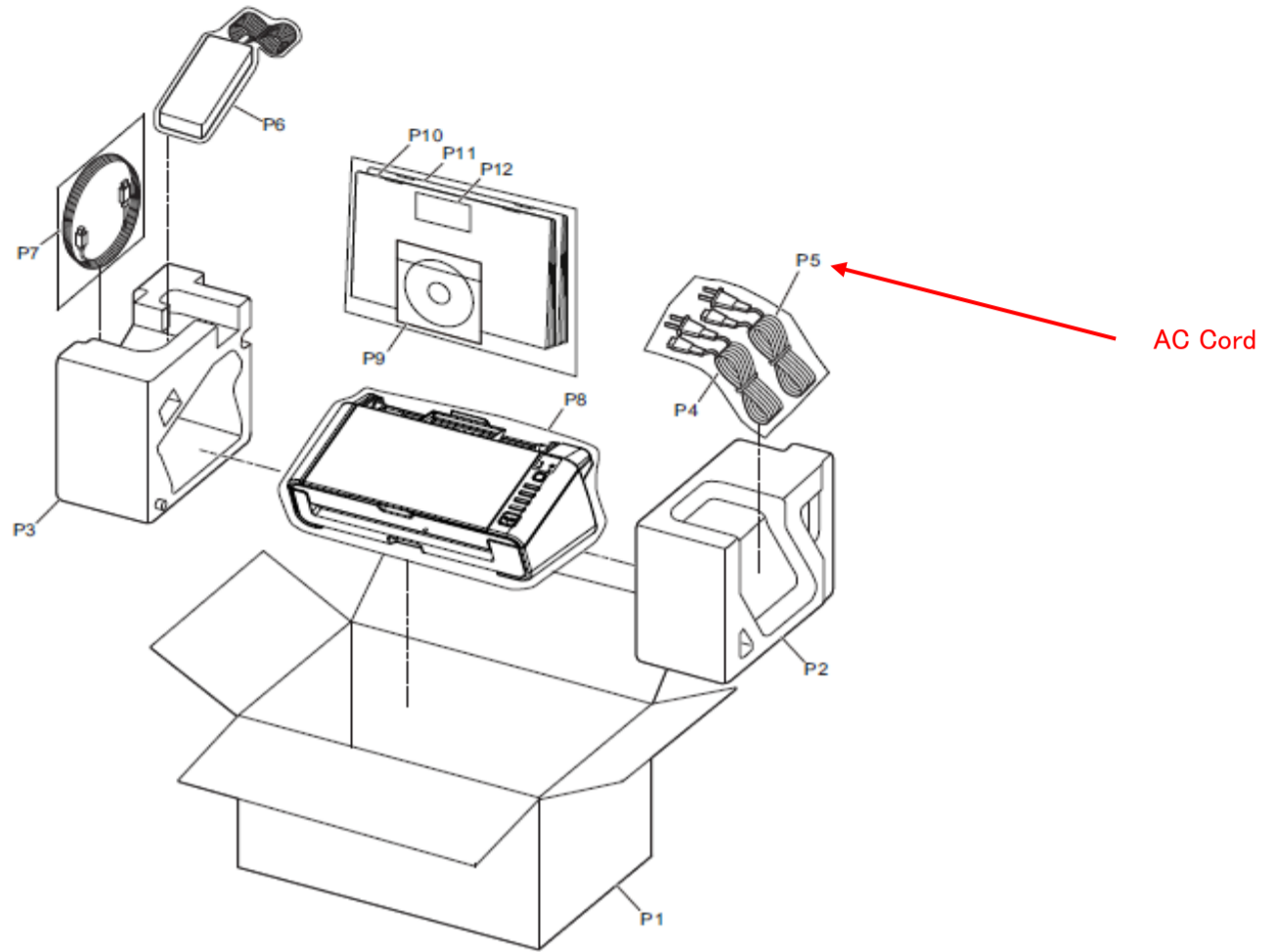
15.3. Lower chassis



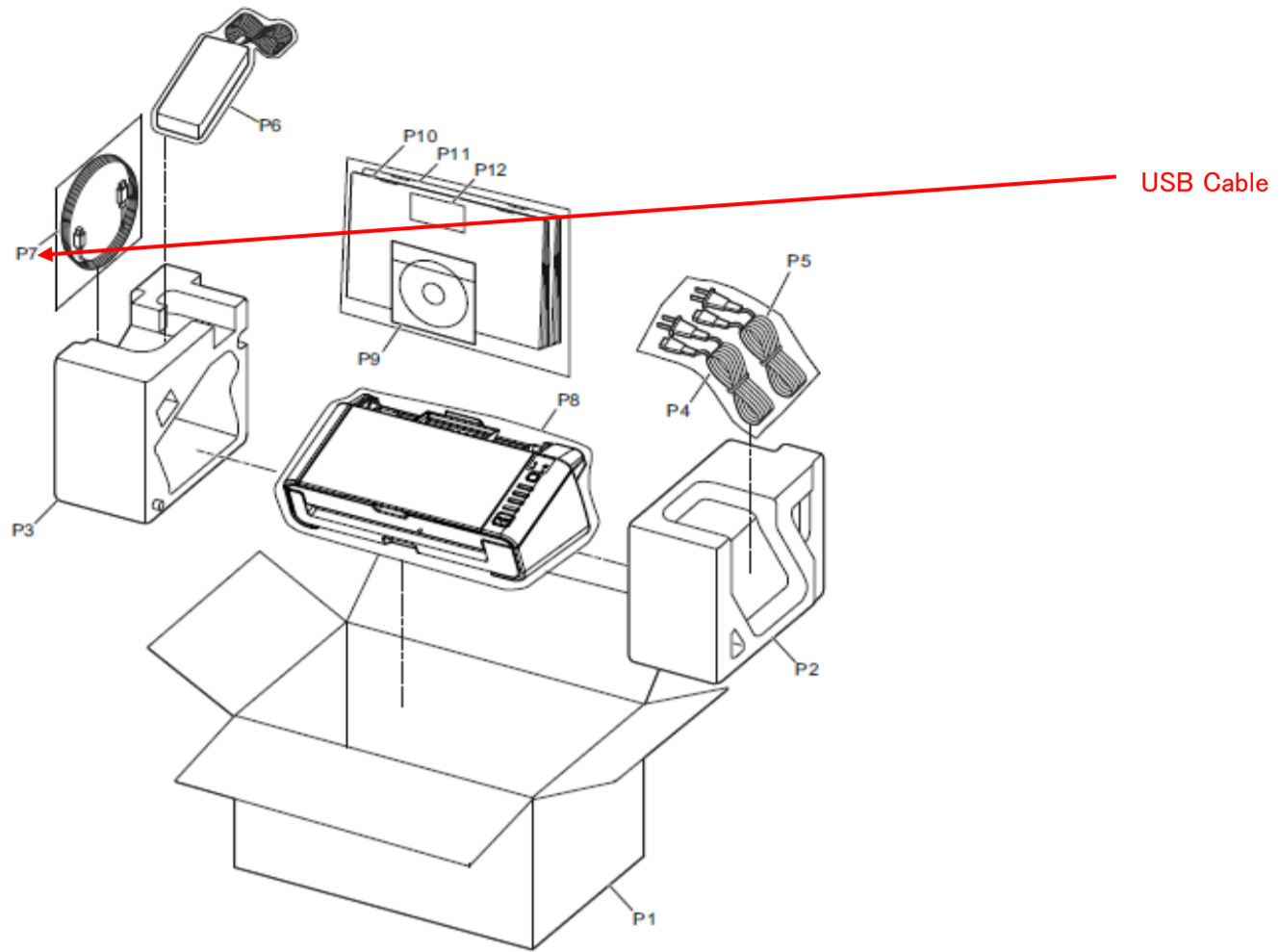
15.4. Packing



15.4. Packing



15.4. Packing



15.4. Packing

