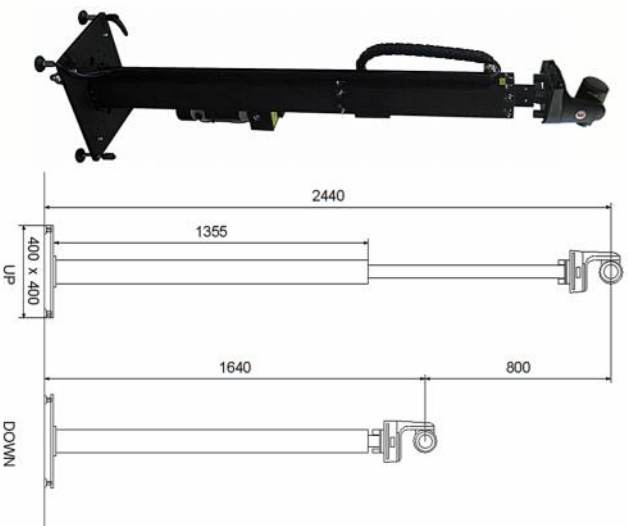


TOTEM 80

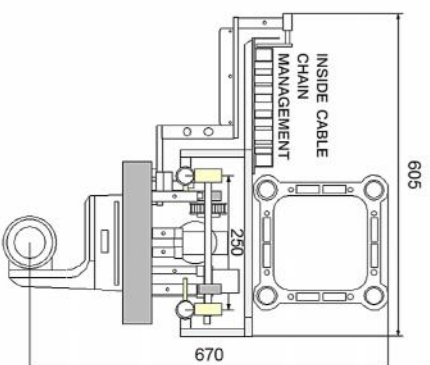


Column stroke: 800mm
 Length: 400mm
 Width: 400mm
 Max height: 2440mm
 Weight: 40Kg
 Max speed: 10cm/s
 Payload: 5Kg



Robotic system for Panasonic PTZ AW-HE 130.
 Build your cost effective studio with
 broadcast quality movements.

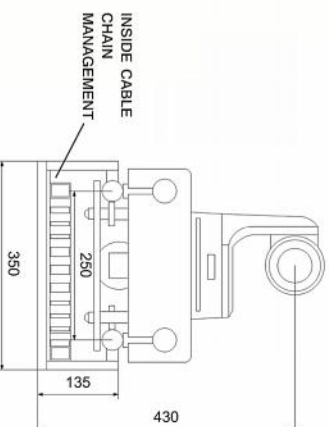
TOP TRACK



Dolly weight: 15Kg
 Track weight: 17Kg/m
 Track interaxis: 250mm
 Maximum speed: 0,5m/s
 Maximum power: 0,15KW
 Payload: 5Kg
 Tracks included.

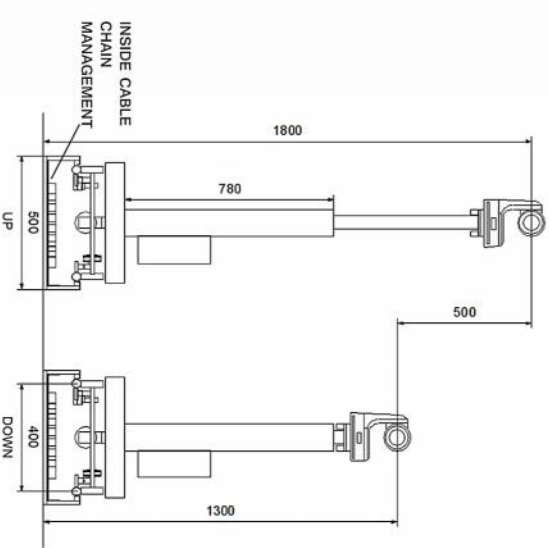


FLOOR DOLLY

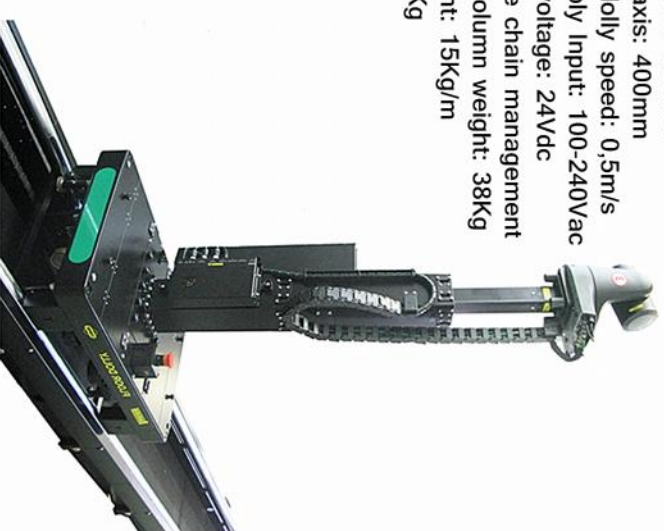


Dolly weight: 15Kg
 Track weight: 14Kg/m
 Track interaxis: 250mm
 Maximum speed: 0,5m/s
 Maximum power: 0,15 KW
 Operating voltage: 24Vdc
 Payload: 5Kg

FLOOR DOLLY + TOTEM 50



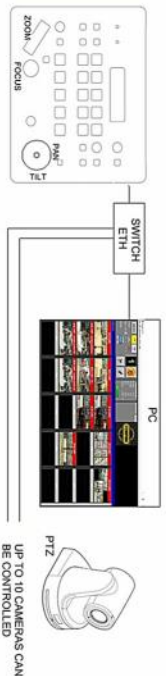
Column stroke: 500mm
 Track interaxis: 400mm
 Maximum dolly speed: 0,5m/s
 Power supply Input: 100-240Vac
 Operating voltage: 24Vdc
 Inside cable chain management
 Dolly and column weight: 38Kg
 Track weight: 15Kg/m
 Payload: 5Kg



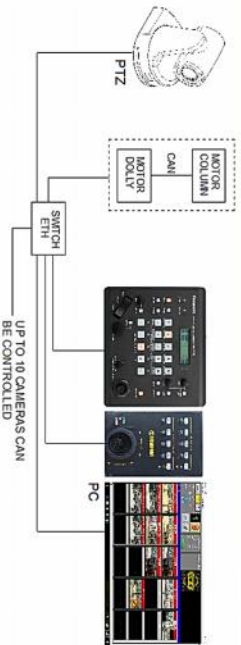


Software "Tuning S"

TuningS is the first software able to control PTZ cameras from your personal computer (OS Windows). The software communicate with PTZ cameras using Panasonic protocol.



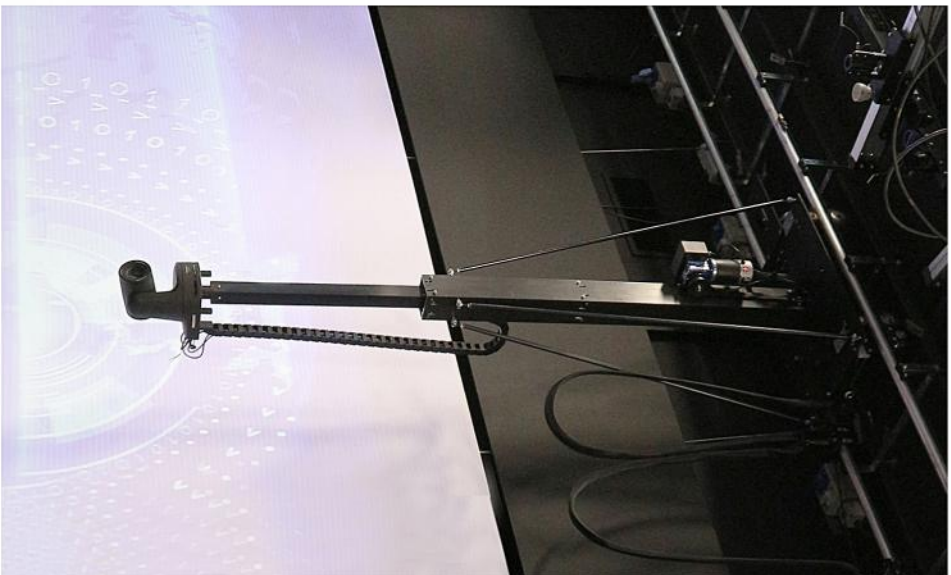
The positions can be stored and easily recalled with the thumbnails. The operator is facilitated during the recall of the positions avoiding the effort to memorize all the positions on a keyboard. With the "Tuning S" SOFTWARE you can manage the positioning and the movements of the PTZ, with the performing and easy thumbnail picture storage. The "Tuning S" Software can be used also to improve the managing of the PTZ only.



With the integration of the dolly and the column movements is possible to add unbelievable performances to the studio movements. With the additional panel DC10 is possible to drive the dollies and the columns. So is possible to get the great results of a sophisticated broadcast studio.

TecnoPoint reserves the right to make technical changes to the presented products without prior notice.

For **Panasonic** PTZ
COMING SOON: TOP TRACK DESCENDER



IBC2018



The Tuning products developed by **TecnoPoint** s.r.l. introduce the vertical and horizontal movements for the **Panasonic** PTZ using:
Floor Dolly, Ceiling Dolly, Floor Column.

FLOOR DOLLY



FLOOR DOLLY + TOTEM 50



TOTEM 80



TOP TRACK



TecnoPoint s.r.l.

Via Archimede, 294
Caronno Pertusella (Va)
Italy 21042
www.tecnoPoint srl.com
info@tecnoPoint srl.com
+39.02.9645.8900



TecnoPoint reserves the right to make technical changes to the presented products without prior notice.