

Zoom Lens

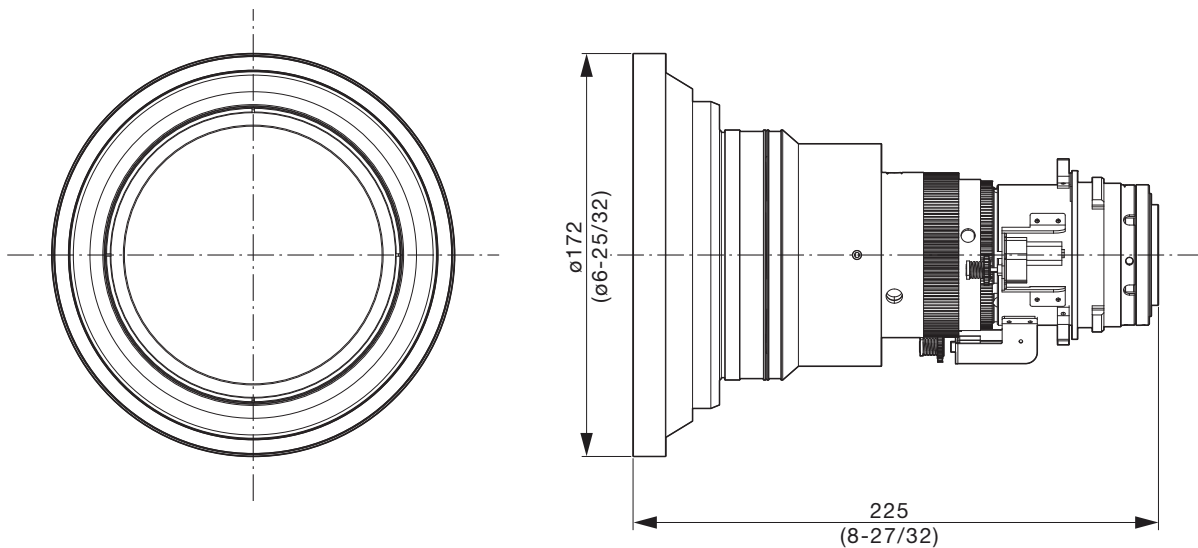
This zoom lens is designed for use with Panasonic's applicable projectors. The lens makes it possible to vary the projection distance by changing the focal distance.

NOTE: The lens cannot be used by itself. It must be mounted onto the specified Panasonic DLP™ projector.

Specifications

F value:	1.85–2.34
Focal distance (f):	9.16–12.1 mm (3/8 - 15/32 inches)
Throw ratio	WUXGA 0.60-0.80:1 for PT-RZ970/RZ770/RZ660/DZ870/DZ780 (16:10 aspect ratio) WXGA 0.63-0.84:1 for PT-RW930/RW730/RW620/DW830/DW750 (16:10 aspect ratio) XGA 0.62-0.83:1 for PT-RX110/DX100/DX820 (4:3 aspect ratio)
Dimensions (W × H × D):	172 × 172 × 225 mm (6-25/32 × 6-25/32 × 8-27/32 inches)
Weight:	Approx. 1.3 kg (2.9 lbs)
Applicable projector:	Group A PT-DZ870K/DZ870LK/DZ870W/DZ870LW/DW830K/DW830LK/DW830W/DW830LW/ DX100K/DX100LK/DX100W/DX100LW Group B PT-RZ970B/RZ970W/RZ970LB/RZ970LW/RW930B/RW930W/RW930LB/RW930LW/ RX110B/RX110W/RX110LB/RX110LW/RZ770B/RZ770W/RZ770LB/RZ770LW/ RW730B/RW730W/RW730LB/RW730LW/RZ660B/RZ660W/RZ660LB/RZ660LW/ RW620B/RW620W/RW620LB/RW620LW Group C PT-DZ780/DZ780L/DW750/DW750L/DX820/DX820L

Dimensions

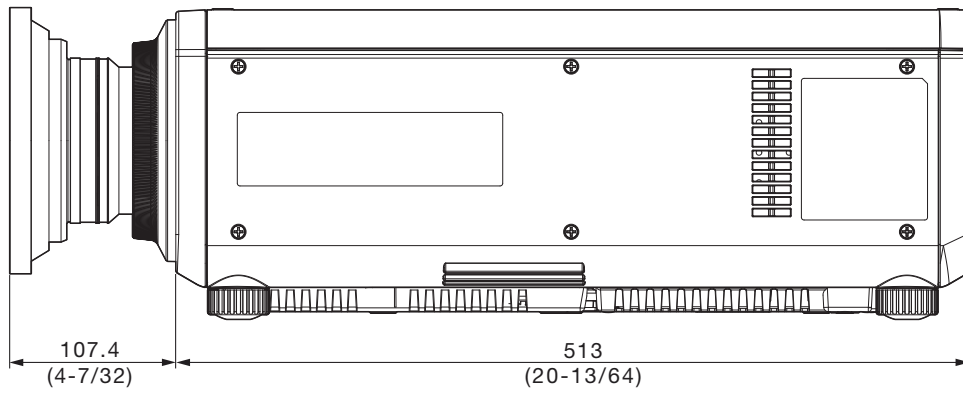


unit : mm (inch)

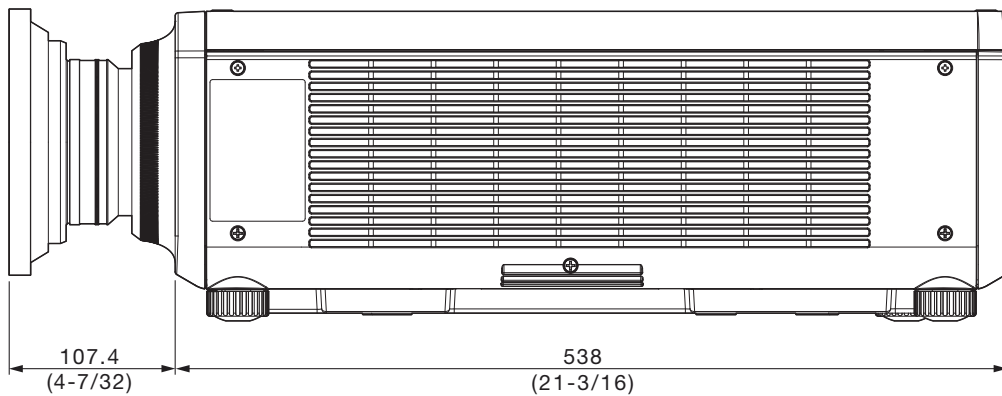
NOTE: This illustration is not drawn to scale.

Illustration shows the lens attached to an applicable projector.

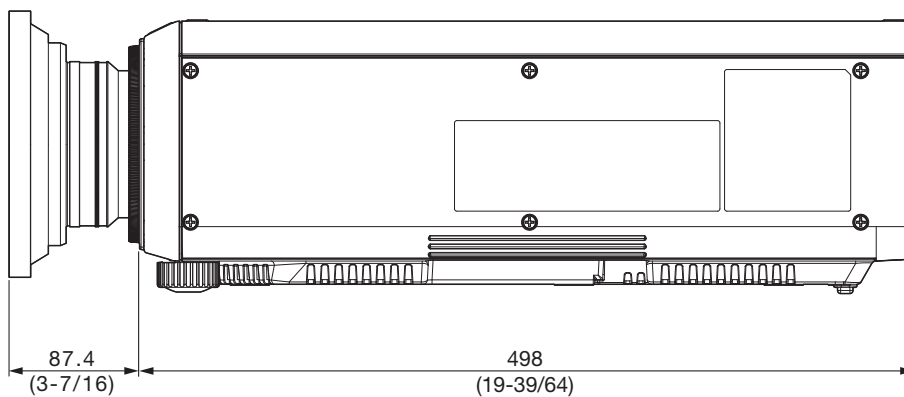
[Group A]



[Group B]



[Group C]



unit : mm (inch)
NOTE: This illustration is not drawn to scale.

For information on the projection distance, refer to the specifications for the projector to which the lens will be mounted.
DLP is a trademark of Texas Instruments. Weights and dimensions shown are approximate. Specifications subject to change without notice.